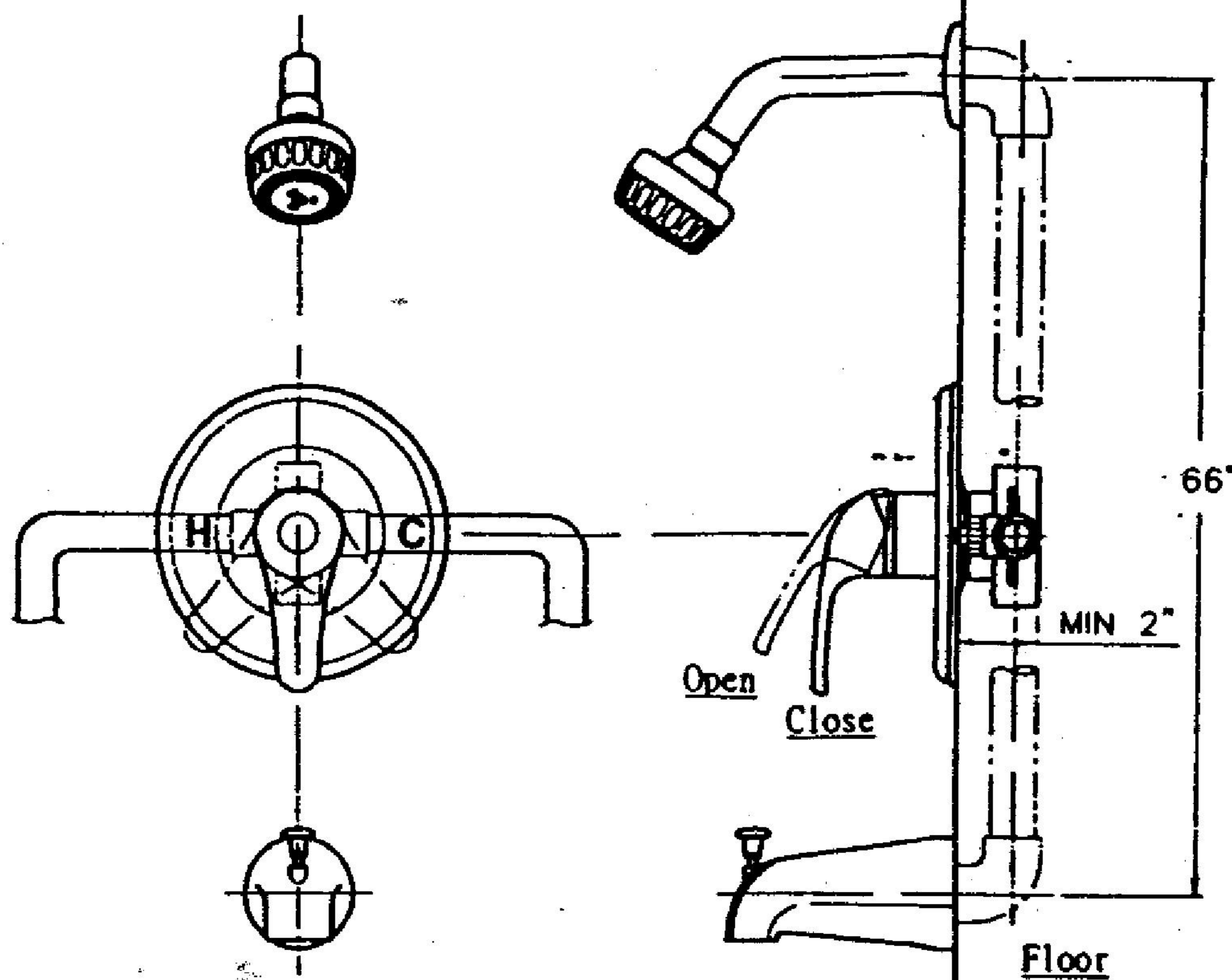


CERAMIC CARTRIDGE PBTS TYPE VALVE

PBTS PBS 05 06 TYPE VALVES



Pressure Balanced Tub & Shower Set INSTALLATION INSTRUCTIONS

- Turn off water supply.
- Connect water supply lines to valve. (Hot water to left and cold water to right side of valve.) Use compound or tape on all threaded connections. Connect valves to spout.
- Assemble 1/2" elbow and 1/2" feed nipple. Screw into bottom of valve. Screw 1/2" tub spout nipple into elbow. (If no shower is to be installed, use a 1/2" plug to close top opening of valve.)
- Assemble 1/2" shower riser pipe and 1/2" elbow. Screw into top of valve. (If no spout is to be installed, use a 1/2" plug to close bottom opening of valve.)
- Place the shower flange over shower arm. Apply pipe compound to the threads on the long end of the shower arm. Screw that end into the shower riser elbow. Push flange against the wall.
- Apply pipe compound to tub spout nipple and attach spout to nipple. Hand tighten.
- Apply pipe compound to threads on shower arm and screw on shower head.
- Turn on water supply and check connections for leaks. Place handle on valve stem and flush lines by running hot and cold water uninterrupted for one minute.
- Remove handle. Push valve escutcheon over protruding valve assembly and secure with screws. Then replace handle.

Note: This unit includes integral stops for easy service ability.